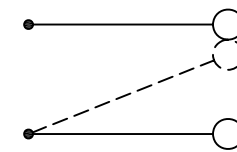
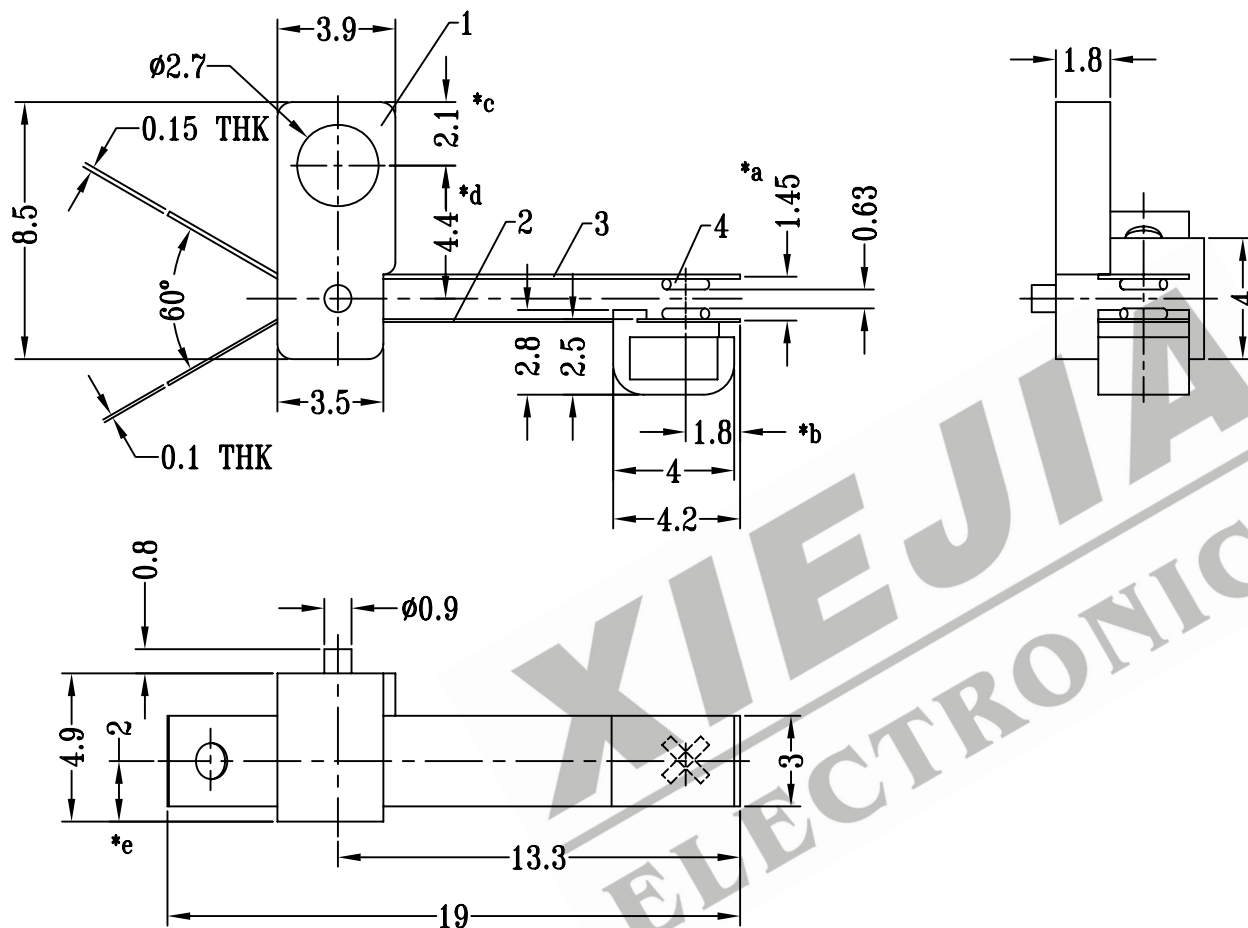


CAD FILE:



SCHEMATIC

MODEL	SPRING PLATE
LF-021	G=GOLD
	N=NICKEL
	S=SILVER
	X=NIL

注:带"\*"表示关键尺寸(5个)

NO.	PARTS	MATERIALS	Q'TY	FINISH	TOLERANCE UNLESS SPECIFIED	SHENZHEN XIEJIA ELECTRONICS CO.,LTD.				
8					WITHIN: 1.5±0.1mm OVER : 1.5±0.2mm	ISSUE	DATE	DESCRIPTIONS OF REVISION		APPD.
7										
6										
5										
4	CONTACT	SILVER	2	NATURAL	TITLE : LEAF SWITCH MODEL: LF-021 ALL MATERIALS MUST BE COMPLIANT TO ROHS	UNIT : mm	SCALE: 4:1	DRWG NO.: XJ-DR-LF021-00		
3	SPRING PLATE B	PBS STRIP	1	NATURAL				DWN.	ZHOUYU	2007-9-3
2	SPRING PLATE A	PBS STRIP	1	NATURAL				CHK'D	FANGYING	2007-9-3
1	CASE	POM	1	BLACK				APPD.	KANGXINAN	2007-9-3